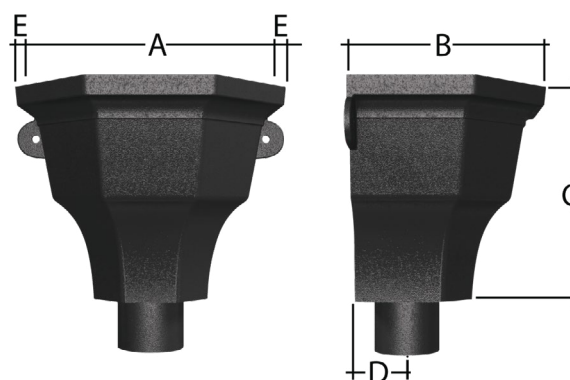


Product Data Sheet Hopper Head - Fluted



Downpipe System	Outlet size, mm Ø	Product code	Dimensions AxBxCxD, mm	Flow rate, l/s*
Tudor	63	TH401	285x210x225x45x18	3.01
Tudor	76	TH402	285x210x225x52x18	4.46
Traditional	72x72	RH404	285x210x227x42x18	4.37

*figures based on a design rainfall intensity of 0.021 l/s/m²

Product description

Range of hopper heads to suit any type of property, a significant component to every Marley Alutec's downpipe system.

Hopper heads are utilised for collecting water discharging from flat roof areas through parapet openings. As well as being a design feature, they are also an important safety mechanism in preventing water being trapped on a roof in the event of a downpipe blockage. Hoppers will still allow the water to safely discharge and overspill in such an event.

- Available in 63mmØ, 76mmØ and 72x72mm outlet sizes
- High performing flow rates
- Functional life expectancy of 50+ years with minimal maintenance
- Marine grade aluminium throughout for ultimate corrosion resistance – ideal for coastal or heavily polluted areas
- Aluminium is a sustainable material, infinitely recyclable and responsibly sourced

Physical properties

Material	LM6 Aluminium
Paint Finish	Architectural grade polyester powder coat (PPC)

Functional Life Expectancy

Marley Alutec aluminium rainwater systems have a functional life-expectancy of 50+ years with minimal maintenance. All products are manufactured using only marine grade aluminium and coated with external grade architectural powders.

Clause:	R10
Product:	Hopper head fluted
Manufacturer:	Marley Alutec, Unit 1 (G-H), Hudson Road, Elms Farm Industrial Estate, Bedford MK41 0LZ.

Product information

Visit www.marleyalutec.co.uk or click on the individual links below.

Technical Services Department

Marley Alutec Technical Services Department has many years of experience in assisting specifiers with all aspects of drainage design and installation. For advice, contact them on technical@marleyalutec.co.uk, 01234 359438

Standards

All Marley Alutec systems are manufactured to and in excess of the appropriate BS or EN Standards.

Hopper connection and Maintenance

Hopper heads are connected directly onto the ends of the chosen pipe system. All connections must be sealed with Alutec joint sealant, product code SC101.

Hoppers should be periodically cleaned out and any built-up debris removed to maintain peak performance. Check all fixings are secure and take any remedial action to rectify if necessary. To maximise the life of the decorative paint finishes, all parts should be washed down with clean water at least every 12 months. This period would be shortened to 6 months in a marine / aggressive environment.

Environmental

Marley Alutec is committed to continually reducing its environmental impact and is accredited to ISO 14001:2004.



Handling & storage

The hoppers are supplied in protective polythene sleeving and components packed in cardboard boxes. If polyester powder coated products are stored outside, cover with tarpaulin to guard against water ingress. If water becomes trapped within the polythene wrapping and left exposed to warm sunlight, it may leave permanent water stains on the paint finish.



evolve RAINWATER SYSTEMS



traditional RAINWATER SYSTEMS



aligator RAINWATER SYSTEMS



evolve FASCIA, SOFFIT & COPING



elite ROOF OUTLET SYSTEMS

ALUTEC
ALUMINIUM RAINWATER SYSTEMS

Head office

For general enquiries, please call **01234 359438**
For technical enquiries please call **01234 344108**
email: enquiries@marleyalutec.co.uk
Fax: **01234 357199**

Unit 1 (G-H), Viking Industrial Park, Hudson Road,
Elms Farm Industrial Estate, Bedford MK41 0LZ

Export Division

Aliaxis UK
Dickley Lane, Lenham, Kent, ME17 2DE
Telephone: **01622 858888** Fax: **01622 850778**

aliaxis



/marleyalutec

@marleyalutec

/company/marley-alutec

marleyalutec.co.uk