

All dimensions are in mm.

Product code	Description	Width (mm)	Flow performance l/s*
PC300	Parapet Chute 300mm	300	7.32
PC500	Parapet Chute 500mm	500	12.2

\*Flow performance is based on a 35mm head of water adjacent to the outlets. If outlets are located within localised sumps or gutters, greater performance will be achieved.

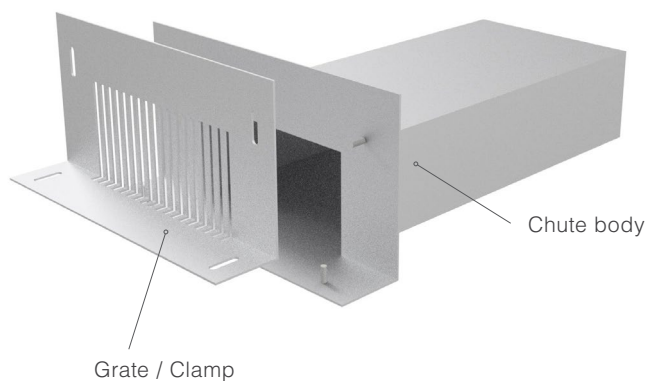
## Product description

Marley Alutec's Elite PC300 and PC500 parapet chute outlets are suitable for commercial, industrial and domestic applications. They are designed for use with bituminous, multi-layer and single ply waterproofing membranes.

All components are manufactured from 3mm thick marine grade alloy with austenitic stainless steel retaining bolts.

- Suitable for all standard applications
- High performance
- Free technical advisory service
- 50 years functional life expectancy
- Near zero maintenance
- Durable and strong

## System components



## Online drainage design tool

The Elite range comes complete with an online drainage design tool, in full compliance with BS EN12056-3, allowing fast and simple drainage design whilst ensuring correct product specification. Click below to access the tool:



**Clause:** R10/365

**Product:** Alutec Elite roof outlets

**Type:** 300 / 500mm wide chute (parapet)

**Manufacturer:** Marley Alutec, Unit 1 (G-H), Hudson road, Elms farm Ind. Estate, Bedford MK41 0LZ

## Product information

For further product information select the relevant link below.

## Technical Services Department

Marley Alutec Technical Services Department has many years' experience in assisting specifiers with all aspects of drainage design and installation. For advice, contact them on [technical@marleyalutec.co.uk](mailto:technical@marleyalutec.co.uk) or call 01234 344108.

## Installation

Parapet chutes consist of body and clamp/grate assembly. The waterproof membrane should be dressed into the outlet body, clamping ring is then secured over the waterproofing layer via the nut and threaded studs, to prevent water ingress between waterproofing membrane and parapet outlet. The grate acts as a guard against airborne debris from blocking the outlet.

## Fire Ratings

Aluminium is a listed non-combustible material as defined by BS476:Part 4, similar to other metals i.e. steel, brass, copper etc. These items are manufactured solely from aluminium alloy and is therefore non-combustible.

## Environmental

Marley Alutec is committed to continually reducing its environmental impact and is accredited to ISO 14001:2015.



## Standards

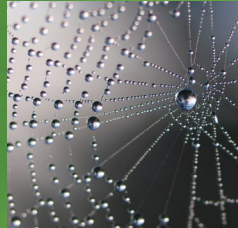
All Marley Alutec systems are manufactured to and in excess of the appropriate BS or EN Standards.



evolve RAINWATER SYSTEMS



traditional RAINWATER SYSTEMS



allegator RAINWATER SYSTEMS



evolve FASCIA, SOFFIT & COPING



elite ROOF OUTLET SYSTEMS

**ALUTEC**  
ALUMINIUM RAINWATER SYSTEMS

## Head office

For general enquiries, please call **01234 359438**

For technical enquiries please call **01234 344108**

email: [projects@marleyalutec.co.uk](mailto:projects@marleyalutec.co.uk)

Fax: **01234 357199**

Unit 1 (G-H), Viking Industrial Park, Hudson Road,  
Elms Farm Industrial Estate, Bedford MK41 0LZ

**Oalixaxis**

/marleyalutec

@marleyalutec

/company/marley-alutec

[marleyalutec.co.uk](http://marleyalutec.co.uk)