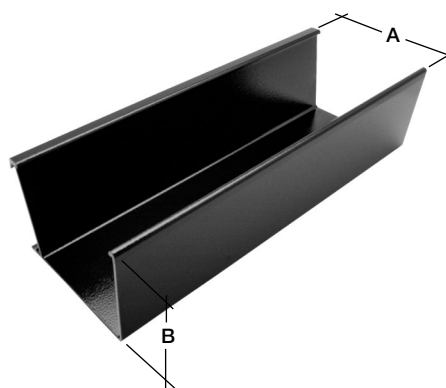


Product Data Sheet Aligator Boxer gutter system



Code	Size (mm)	Nominal Length (m)	A (mm)	B (mm)
GF413	120 x 80	3	120	80
GF513	135 x 100	3	135	100
GF613	160 x 100	3	160	100

Product description

Aligator Boxer aluminium guttering system with internal joints and concealed brackets offers a sleek and unobtrusive solution for modern building design

- Ideal for medium to large properties
- Available in 3 sizes to suit different performance requirements
- Flow rate of up to 7.41 l/s and 352m² per downpipe
- Functional life expectancy of 50+ years with minimal maintenance
- Marine grade aluminium throughout for ultimate corrosion resistance – ideal for coastal or heavily polluted areas
- Aluminium is a sustainable material, infinitely recyclable and responsibly sourced*

Physical properties

Material	Marine grade 6063 T5 extrusion
Finish	Polyester powder coated to BS EN 12206-1:2004
Downpipe compatibility	<p>63mm & 76mm Ø Eolve, Tudor & Flush-fit downpipe systems</p> <p>102mm Ø* Eolve, Tudor & Flush-fit downpipe systems</p> <p>72x72mm, 102x76mm, 102x102mm* Traditional, Flush-fit & Vandal Resistant downpipe systems</p> <p>* 120 x 80mm gutter not compatible with 102mm or 102x102mm downpipe systems</p>

Flow rate performance

Gutter profile	Downpipe system	End outlet l/s	Centre outlet l/s
120 x 80mm	63mm Ø	2.27	3.39
	76mm Ø	2.27	3.75
	72x72mm	2.27	4.26
	102x76mm	2.27	4.34
	102x102mm	4.17	4.17
135 x 100mm	63mm Ø	4.17	4.17
	76mm Ø	4.38	5.92
	102mm Ø	4.38	5.97
	72x72mm	4.38	6.49
	102x76mm	4.38	7.09
	102x102mm	4.38	7.14
160 x 100mm	63mm Ø	4.22	4.22
	76mm Ø	5.25	6.06
	102mm Ø	5.25	6.11
	72x72mm	5.25	6.68
	102x76mm	5.25	7.35
	102x102mm	5.25	7.41

Functional Life Expectancy

Marley Alutec aluminium rainwater systems have a functional life-expectancy of 50+ years with minimal maintenance. All products are manufactured using only marine grade aluminium and coated with external grade architectural powders.

Clause:	R10/311
Product:	Aligator snap fit Boxer aluminium rainwater system
Manufacturer:	Marley Alutec, Unit 1 (G-H), Hudson Road, Elms Farm Industrial Estate, Bedford MK41 0LZ.

Product information

Visit www.marleyalutec.co.uk or click on the individual links below.

Technical Services Department

Marley Alutec Technical Services Department has many years' experience in assisting specifiers with all aspects of drainage design and installation. For advice, contact them on technical@marleyalutec.co.uk, 01234 359438

Standards

All Marley Alutec systems are manufactured to and in excess of the appropriate BS or EN Standards. For a full list download the range brochure in the **Product information** section.

Maintenance

Gutters should be periodically cleaned out and any built-up debris removed to maintain peak performance. Check all fixings are secure and take any remedial action to rectify if necessary. Leaf guards are available to fit each gutter system and are recommended for buildings close to trees, with restricted access, or areas susceptible to airborne debris. To maximise the life of the decorative paint finishes, all parts should be washed down with clean water at least every 12 months. This period would be shortened to 6 months in a marine/aggressive environment.

Environmental

Marley Alutec is committed to continually reducing its environmental impact and is accredited to ISO 14001:2004.



Handling & storage

All gutter and pipe lengths are supplied in protective polythene sleeving and components packed in cardboard boxes. If polyester powder coated products are stored outside, cover with tarpaulin to guard against water ingress. If water becomes trapped within the polythene wrapping and left exposed to warm sunlight, it may leave permanent water stains on the paint finish.



evolve RAINWATER SYSTEMS



traditional RAINWATER SYSTEMS



allegator RAINWATER SYSTEMS



evolve FASCIA, SOFFIT & COPING



elite ROOF OUTLET SYSTEMS

ALUTEC

ALUMINIUM RAINWATER SYSTEMS

Head office

For general enquiries, please call **01234 359438**
For technical enquiries please call **01234 344108**
email: enquiries@marleyalutec.co.uk
Fax: **01234 357199**

Unit 1 (G-H), Viking Industrial Park, Hudson Road,
Elms Farm Industrial Estate, Bedford MK41 0LZ

Export Division

Aliaxis UK
Dickley Lane, Lenham, Kent, ME17 2DE
Telephone: **01622 858888** Fax: **01622 850778**



an *Aliaxis* company

[f](#) /marleyalutec
[t](#) @marleyalutec
[in](#) /company/marleyalutec
marleyalutec.co.uk